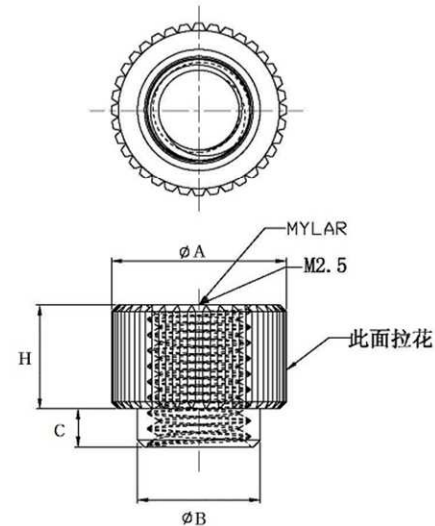


RoHS Compliance.

P/N	ΦA	ΦB	C	H	M
N0204525A-B	4.5	3.5	1.4	2.0	M2.5
N0204525A	4.5	3.5	1.6	2.0	



AJATO CO., LTD

REVISION HISTORY

Part Name	SMT Nut (拉花)	Material	銅	Ver.	A	REV.	DESCRIPTION	DRAWN BY	DATE
Customer Part No.		Spec.		Unit	mm				
Part No.	M2.5	Plating	鍍	Date	2017.07.03				
		Scale		Approved	Cheched	Drawer			